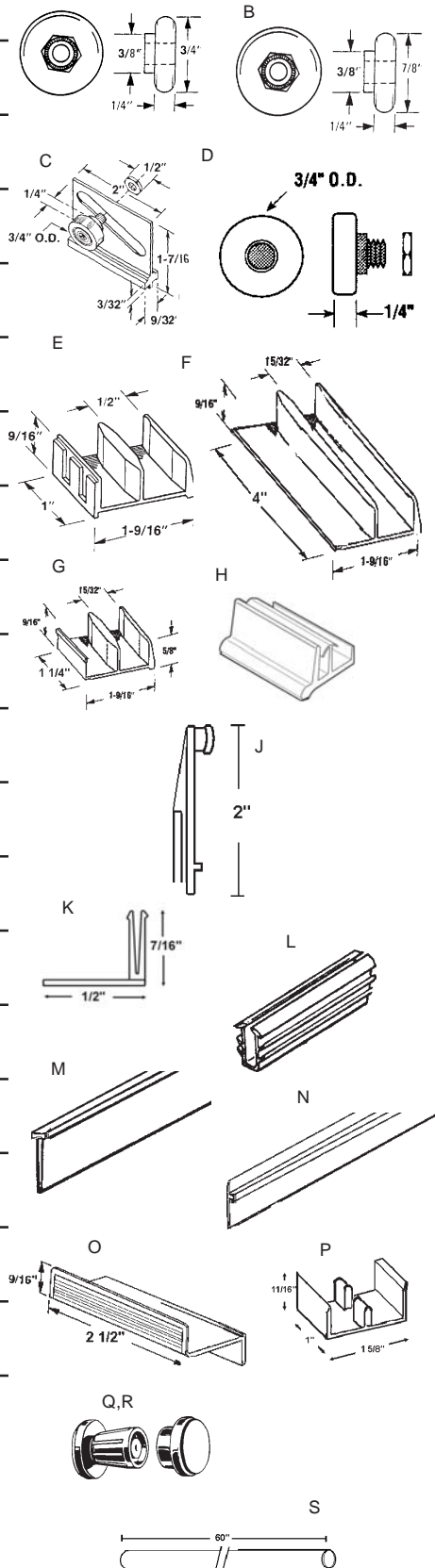


TUB ENCLOSURE HARDWARE

HARDWARE

PART #	ITEM	PK*			
A	TUB ENCLOSURE SLIDING DOOR ROLLER - EACH	1-39	\$0.56	10	A
B	TUB ENCLOSURE SLIDING DOOR ROLLER - EACH	1-39	\$0.75	10	B
C	TUB ENCLOSURE SLIDING DOOR ROLLER - EACH	1-39	\$2.24	10	C
D	TUB ENCLOSURE SLIDING DOOR ROLLER - FLAT EDGE-BALL BEARING	1-39	\$0.56	10	D
E	SLIDING SHOWER DOOR BOTTOM GUIDE - WHITE	1-39	\$0.69	5	E
F	SLIDING SHOWER DOOR BOTTOM GUIDE - CLEAR	1-39	\$2.24	4	F
G	KS SLIDING SHOWER DOOR BOTTOM GUIDE CLEAR	1-39	\$2.76	1	G
H	FRAMLESS SHOWER DOOR GUIDE CLEAR	1-39	\$5.16	1	H
I	FRAMLESS SHOWER DOOR BOTTOM GUIDE	1-39	\$2.30	1	I
J	KS BYPASS SHOWER DOOR GUIDE WHITE	1-39	\$1.09	1	J
K	KS SHOWER DOOR GUIDE PIN WHITE	1-39	\$0.86	1	K
L	KS VINYL GASKET FOR GLASS SHOWER DOORS- 10 FT.	1-39	\$21.85	1	L
M	KS FLAT SEAL FOR SIDE OF SWINGING SHOWER DOOR- 3 FT.	1-39	\$4.03	1	M
N	KS BOTTOM GASKET FOR BOTTOM OF SWINGING SHOWER DOOR- 3 FT.	1-39	\$3.78	1	N
O	KS PLASTIC DOOR HANDLE FOR SLIDING SHOWER DOOR - CLEAR	1-39	\$3.45	1	O
P	KS SHOWER DOOR WALL GUIDE FOR SIDE OF SHOWER DOOR - WHITE	1-39	\$2.81	1	P
Q	CHROME ADJ. SHOWER ROD ENDS DIE CAST	1-39	\$2.59	50	Q,R
R	CHROME ADJ. SHOWER ROD ENDS PLASTIC	1-39	\$0.79	50	Q,R
S	CHROME 5' SHOWER CURTAIN ROD	1-39	\$3.16	50	S



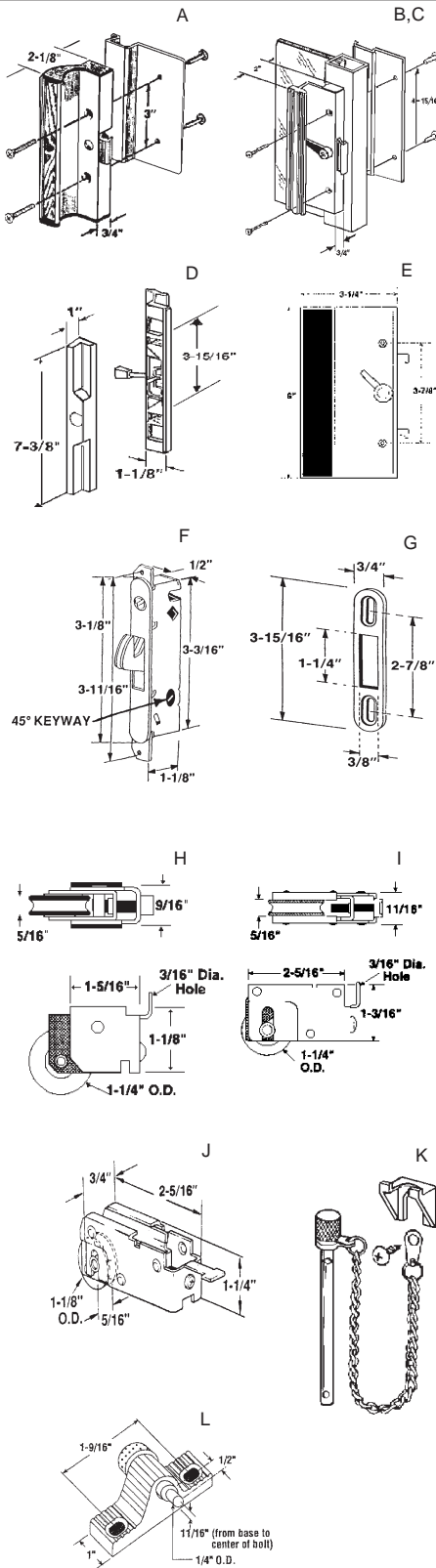
* CASE QUANTITIES ARE FOR REFERENCE ONLY-ANY QUANTITY MAY BE ORDERED



Phone Orders (888) 439-6900

FAX Orders (949) 888-5436

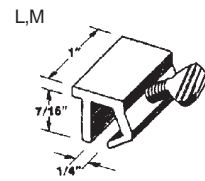
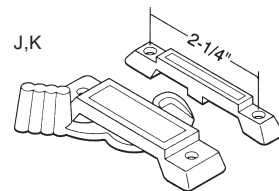
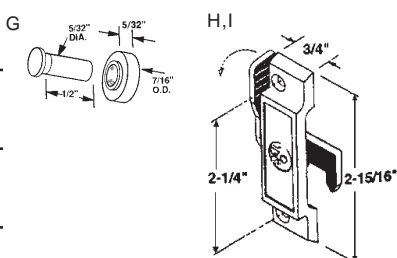
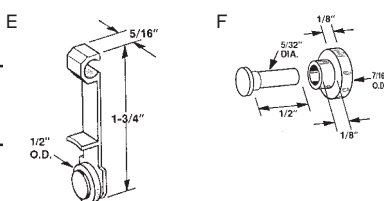
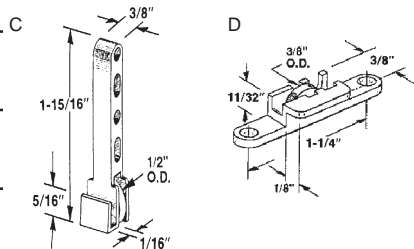
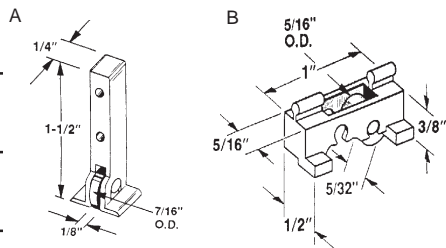
257



PART #	ITEM		PK*
A 99970	SLIDING GLASS DOOR	1-11	\$23.51 10
	HANDLE-BLACK	12+	\$20.45
B 99971	SLIDING GLASS DOOR	1-11	\$17.53 10
	HANDLE-BLACK	12+	\$15.25
C 99908	SLIDING GLASS DOOR	1-11	\$18.68 10
	HANDLE-WHITE	12+	\$16.25
D 99993	SLIDING GLASS DOOR	1-11	\$21.21 10
	HANDLE-BLACK	12+	\$18.45
E 91701	SLIDING GLASS DOOR	1-11	\$22.36 10
	HANDLE-2 PIN LOCKING	12+	\$19.45
F 99994	SLIDING GLASS DOOR	1-11	\$9.72 10
	LATCH	12+	\$8.45
G 99995	SLIDING GLASS DOOR	1-11	\$2.12 10
	KEEPER	12+	\$1.85
H 00830	SLIDING GLASS DOOR ROLLER	1-11	\$6.84 10
	ASSEMBLY 1 1/4", STEEL BALL BEARING	12+	\$5.95
I 91704	SLIDING GLASS DOOR ROLLER	1-11	\$6.84 10
	ASSEMBLY	12+	\$5.95
J 11628	SLIDING GLASS DOOR ROLLER	1-11	\$6.84 10
	ASSEMBLY	12+	\$5.95
K 99996	STEEL SLIDING GLASS DOOR	1-49	\$0.90 1
	SECURITY PIN	50+	\$0.79
L 00827	SLIDING DOOR AND WINDOW LOCK	1-19	\$4.31 1
		20+	\$3.75

SLIDING GLASS WINDOW HARDWARE HARDWARE

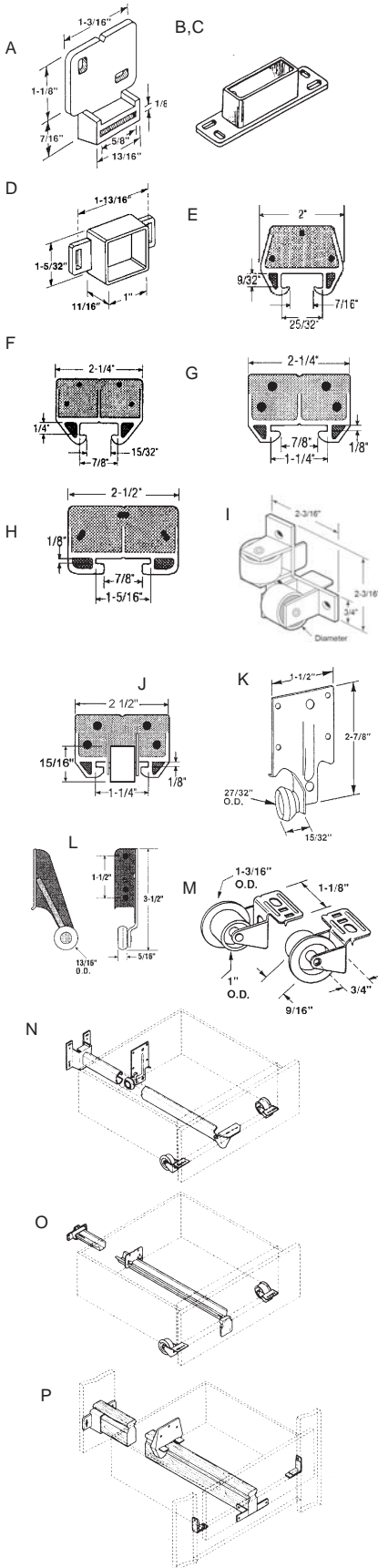
PART #	ITEM				PK*
A	11548	SLIDING WINDOW ROLLER	1-49	\$0.80	40
		NYLON	50+	\$0.70	
B	11556	SLIDING WINDOW ROLLER	1-49	\$2.24	20
		NYLON W/ STEEL WHEEL	50+	\$1.95	
C	11552	SLIDING WINDOW ROLLER	1-49	\$1.67	20
		NYLON	50+	\$1.45	
D	11554	SLIDING WINDOW ROLLER	1-49	\$0.92	20
		NYLON W/ STEEL WHEEL	50+	\$0.80	
E	01035	WINDOW ROLLER	1-49	\$1.09	20
		ALUMINUM W/ NYLON WHEEL	50+	\$0.95	
F	91756	WINDOW ROLLER / PIN	1-49	\$0.74	20
		STEEL WHEEL	50+	\$0.65	
G	91755	WINDOW ROLLER / PIN	1-49	\$0.69	20
		PLASTIC WHEEL	50+	\$0.60	
H	11646	SLIDING WINDOW LOCK	1-49	\$2.64	20
		DIECAST - WHITE	50+	\$2.30	
I	11644	SLIDING WINDOW LOCK	1-49	\$2.53	20
		DIECAST - BLACK	50+	\$2.20	
J	11572	SLIDING WINDOW SASH LOCK	1-49	\$2.99	20
		DIECAST - WHITE	50+	\$2.60	
K	11575	SLIDING WINDOW SASH LOCK	1-49	\$2.99	20
		DIECAST - BLACK	50+	\$2.60	
L	11640	SLIDING DOOR & WINDOW LOCK	1-49	\$0.37	40
		ALUMINUM	50+	\$0.32	
M	00923	SLIDING DOOR & WINDOW LOCK	1-49	\$0.57	40
		WHITE	50+	\$0.50	



* CASE QUANTITIES ARE FOR REFERENCE ONLY-ANY QUANTITY MAY BE ORDERED



PART # ITEM PK*



A	11576	DRAWER TRACK	1-99	\$0.29	50
		FRONTPLATE	100+	\$0.25	
B	99939	DRAWER TRACK	1-99	\$0.35	50
		BACKPLATE, 1 1/2"	100+	\$0.30	
C	99948	DRAWER TRACK	1-99	\$0.54	50
		BACKPLATE, 2"	100+	\$0.47	
D	91709	WOOD DRAWER TRACK	1-99	\$0.35	50
		BACKPLATE	100+	\$0.30	
E	99947	DRAWER GUIDE	1-99	\$0.26	50
		RED	100+	\$0.23	
F	00823	DRAWER GUIDE	1-99	\$0.26	50
		BROWN	100+	\$0.23	
G	01003	DRAWER GUIDE	1-99	\$0.21	50
		WHITE	100+	\$0.18	
H	00863	DRAWER GUIDE	1-99	\$0.26	50
		WHITE	100+	\$0.23	
I	99946	CORNER DRAWER GUIDE	1-99	\$1.48	50
		WHITE	100+	\$1.29	
J	11585	DRAWER GUIDE	1-99	\$0.75	50
		W/ 15/16" ROLLER	100+	\$0.65	
K	11580	DRAWER TRACK ROLLER	1-49	\$1.73	10
		FOR MONO RAIL	50+	\$1.50	
L	99977	DRAWER TRACK ROLLER	1-49	\$1.15	10
		FOR MONO RAIL	50+	\$1.00	
M	11584	DRAWER GUIDE	1-49	\$1.09	1
		ROLLERS - 1 PAIR (LEFT & RIGHT)	50+	\$0.95	
N	00849	DRAWER TRACK REPAIR KIT	1-9	\$4.88	1
		W/ METAL TRACK	10+	\$4.25	
O	00850	DRAWER TRACK REPAIR KIT	1-9	\$5.17	1
		W/ METAL TRACK	10+	\$4.50	
P	00851	DRAWER TRACK REPAIR KIT	1-9	\$5.46	1
		W/ WOOD TRACK	10+	\$4.75	

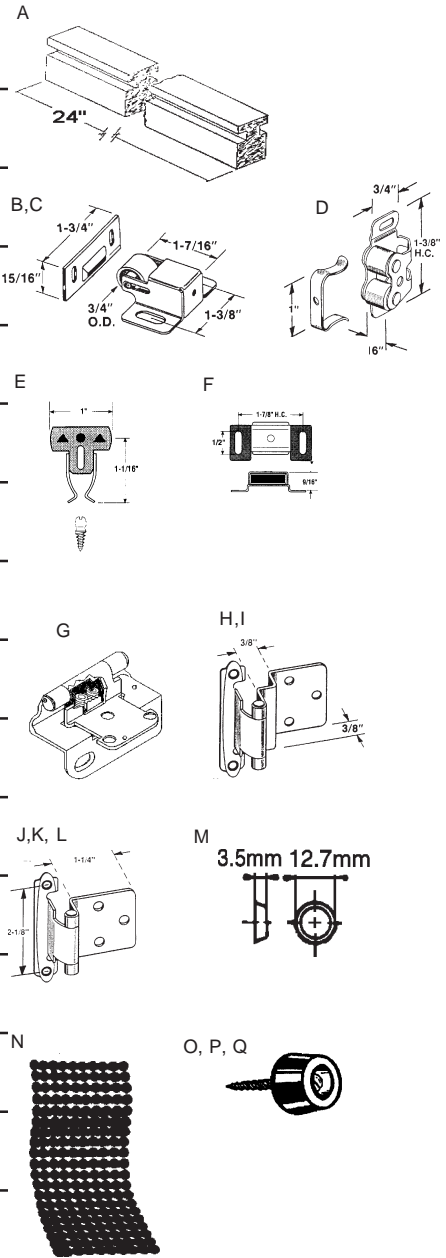


* CASE QUANTITIES ARE FOR REFERENCE ONLY-ANY QUANTITY MAY BE ORDERED

CABINET HARDWARE

HARDWARE

PART #	ITEM	PK*
A	04800 WOOD DRAWER GUIDE TRACK	1-9 \$2.63 1 10+ \$2.29
B	00841 CABINET/ CLOSET DOOR ROLLER CATCH - SILVER	1-19 \$1.26 50 20+ \$1.10
C	11532 CABINET/ CLOSET DOOR ROLLER CATCH - BRASS	1-19 \$1.26 50 20+ \$1.10
D	11536 DOUBLE POLE FRICTION CATCH	1-19 \$0.44 50 20+ \$0.39
E	00824 CABINET DOOR FRICTION CATCH	1-19 \$0.75 5 20+ \$0.65
F	00862 MAGNETIC LATCH SILVER PLATED	1-19 \$0.86 50 20+ \$0.75
G	01068 8720-2H HINGE, BULK 1 EACH POLISHED BRASS	1-19 \$1.09 100 20+ \$0.95
H	96536 CABINET DOOR HINGE, PR. ANT. BRASS, 3/8" OFFSET	1-9 \$1.60 5 10+ \$1.39
I	96538 CABINET DOOR HINGE, PR. WHITE, 3/8" OFFSET	1-9 \$1.71 5 10+ \$1.49
J	11562 CABINET DOOR HINGE, PR. ANT. BRASS, FLUSH	1-9 \$1.72 5 10+ \$1.50
K	11563 CABINET DOOR HINGE, PR. WHITE, FLUSH	1-9 \$1.72 5 10+ \$1.50
L	276196 CABINET DOOR HINGE SATIN NICKLE, FLUSH	1-9 \$1.72 5 10+ \$1.50
M	00856 RUBBER ADHESIVE BUMPER WHITE - 200 PK.	1-4 \$17.24 1 5+ \$14.99
N	00857 FELT ADHESIVE BUMPER WHITE - 1000 PK.	1-4 \$17.23 1 5+ \$14.99
O	100339 3/4" BUMPERS BROWN - 4 PK.	1-11 \$1.14 1 12+ \$0.99
P	358416 3/4" BUMPERS BROWN	1-11 \$1.13 1 12+ \$0.99
Q	743354 3/4" BUMPERS WHITE	1-11 \$1.13 1 12+ \$0.99



* CASE QUANTITIES ARE FOR REFERENCE ONLY-ANY QUANTITY MAY BE ORDERED



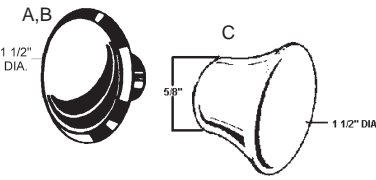
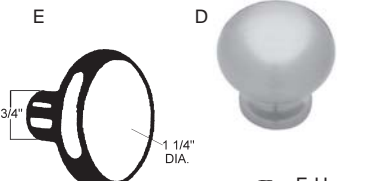
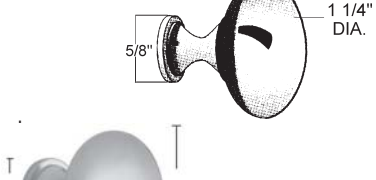
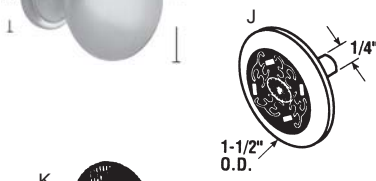
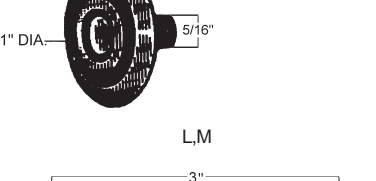


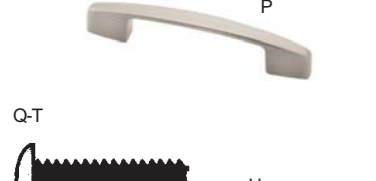


Phone Orders (888) 439-6900

FAX Orders (949) 888-5436

261

HARDWARE

CABINET KNOBS

	PART #	ITEM			PK*
	A	POLISHED BRASS KNOB	1-49	\$0.74	50
		W/SCREW	50+	\$0.65	
	B	ANTIQUE BRASS KNOB	1-49	\$0.74	50
		W/SCREW	50+	\$0.65	
	C	WHITE PORCELAIN MUSHROOM KNOB	1-49	\$1.27	50
		W/ SCREW 1 1/2"	50+	\$1.10	
	D	BRUSHED NICKLE MUSHROOM KNOB	1-49	\$2.63	50
			50+	\$2.29	
	E	WHITE PLASTIC KNOB 1 1/4"	1-49	\$0.67	50
		W/ SCREW	50+	\$0.58	
	F	POLISHED BRASS SOLID METAL KNOB	1-49	\$2.24	50
		W/ SCREW	50+	\$1.95	
	G	ANTIQUE BRASS SOLID METAL KNOB	1-49	\$2.24	50
		W/ SCREW	50+	\$1.95	
	H	SATIN CHROME CABINET KNOB	1-49	\$2.14	50
		W/ SCEW	50+	\$1.86	
	I	SATIN NICKEL CABINET KNOB	1-49	\$1.43	50
		W/ SCREW	50+	\$1.25	
	J	ANTIQUE BRASS FILIGREE KNOB	1-49	\$0.86	50
		W/ SCREW	50+	\$0.75	
	K	ANTIQUE BRASS ROSETTE KNOB	1-49	\$1.09	50
		W/ SCREW	50+	\$0.95	
	L	3" WHITE PLASTIC PULL HANDLE	1-49	\$0.86	50
		W/ SCREW	50+	\$0.75	
	M	3" BLACK PLASTIC PULL HANDLE	1-49	\$0.86	50
		W/ SCREW	50+	\$0.75	
	N	MODERN CABINET PULL HANDLE	1-49	\$1.71	50
		SATIN NICKEL	50+	\$1.49	
	O	LIBERTY CABINET PULL HANDLE	1-49	\$4.35	50
			50+	\$3.79	
	P	LIBERT CABINET PULL HANDLE	1-49	\$3.78	50
			50+	\$3.29	
	Q	8/32" X 1" CABINET TRUSS HEAD SCREW	1-4	\$4.59	1
		100 PACK	5+	\$3.99	
	R	8/32" X 1 1/4" CABINET TRUSS HEAD SCREW	1-4	\$4.93	1
		100 PACK	5+	\$4.29	
	S	8/32" X 1 1/2" CABINET TRUSS HEAD SCREW	1-4	\$5.28	1
		100 PACK	5+	\$4.59	
	T	8/32" X 1 3/4" CABINET TRUSS HEAD SCREW	1-4	\$5.51	1
		100 PACK	5+	\$4.79	
	U	POLISHED BRASS KNOB	1-49	\$0.79	50
		BACKPLATE	50+	\$0.69	

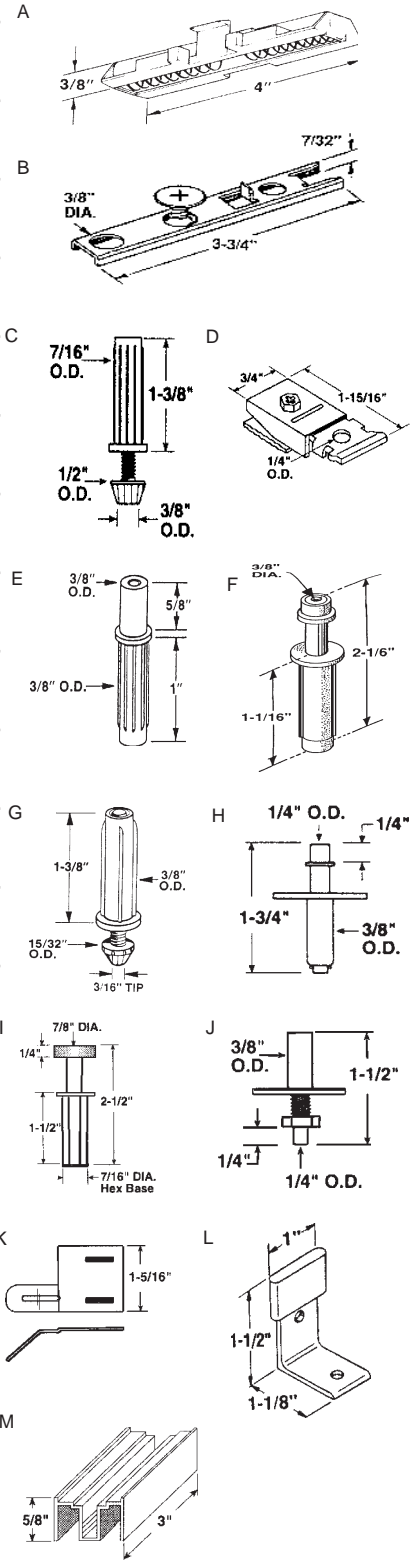


* CASE QUANTITIES ARE FOR REFERENCE ONLY-ANY QUANTITY MAY BE ORDERED

BI-FOLD DOOR HARDWARE

HARDWARE

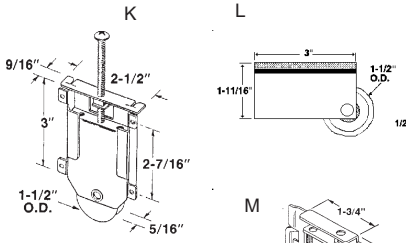
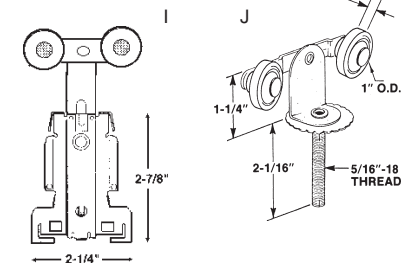
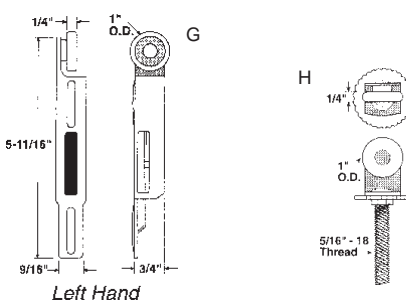
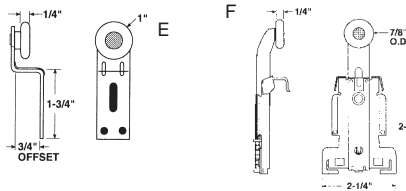
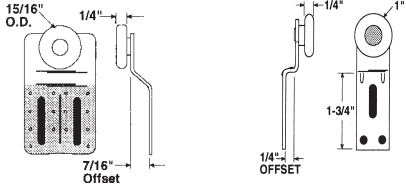
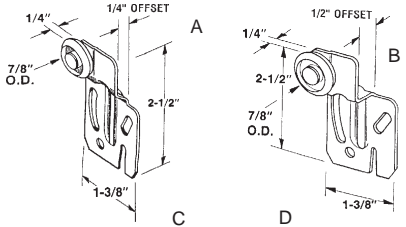
PART #	ITEM	PK*
A	BI-FOLD SLIDE GUIDE	1-39 \$0.98 1 40+ \$0.85
B	STANLEY BI-FOLD BRACKET W/ SCREW	1-39 \$1.90 1 40+ \$1.65
C	BOTTOM BI-FOLD DRIVE PIVOT ADJUSTABLE	1-39 \$0.86 1 40+ \$0.75
D	WARDROBE BIFOLD BRACKET	1-39 \$1.00 1 40+ \$0.87
E	BI-FOLD DOOR TOP PIVOT & GUIDE	1-39 \$0.29 1 40+ \$0.25
F	BI-FOLD DOOR TOP PIVOT GUIDE	1-39 \$1.38 1 40+ \$1.20
G	BI-FOLD DOOR ADJUSTABLE BOTTOMPIVOT	1-39 \$0.86 1 40+ \$0.75
H	BI-FOLD DRIVE PIVOT	1-39 \$2.47 1 40+ \$2.15
I	BI-FOLD TOP GUIDE WHEEL 7/8"	1-39 \$0.98 1 40+ \$0.85
J	BI-FOLDBOTTOMPIVOT ADJUSTABLE	1-39 \$1.90 1 40+ \$1.65
K	BI-FOLD DOOR ALIGNER 1 PAIR	1-39 \$0.98 1 40+ \$0.85
L	BI-FOLD DOOR BOTTOM "L" GUIDE	1-39 \$0.98 1 40+ \$0.85
M	CLOSET FLOOR RISER	1-39 \$2.13 1 40+ \$1.85



* CASE QUANTITIES ARE FOR REFERENCE ONLY-ANY QUANTITY MAY BE ORDERED



PART # ITEM PK*



A	11608	WARDROBE DOOR ROLLER	1-39	\$1.32	1
		FRONT	40+	\$1.15	
B	11612	WARDROBE DOOR ROLLER	1-39	\$1.32	1
		REAR	40+	\$1.15	
C	91802	WARDROBE DOOR ROLLER	1-39	\$1.70	1
		FITS SUPERIOR DOORS	40+	\$1.79	
D	11610	WARDROBE DOOR ROLLER	1-39	\$1.38	1
		FRONT	40+	\$1.20	
E	11611	WARDROBE DOOR ROLLER	1-39	\$1.38	1
		REAR	40+	\$1.20	
F	99975	WARDROBE DOOR ROLLER	1-39	\$2.28	1
			40+	\$1.99	
G	11589	WARDROBE DOOR ROLLER	1-39	\$6.49	1
		1 PAIR	40+	\$5.65	
H	00985	WARDROBE ROLLER	1-39	\$2.82	1
			40+	\$2.45	
I	00938	CLOSET ROLLER	1-39	\$3.44	1
		TANDEMBYPASS	40+	\$2.99	
J	00986	WARDROBE DOOR TANDEM ROLLER	1-39	\$4.03	1
			40+	\$3.50	
K	11620	MIRROR DOOR ROLLER	1-39	\$5.18	1
		NYLON BALLBEARING WHEEL	40+	\$4.50	
L	00853	WARDROBE DOOR ROLLER ASSY.	1-39	\$6.31	1
		ADJUSTABLE HOUSING	40+	\$5.49	
M	11624	SLIDING MIRROR DOOR	1-39	\$6.31	1
		BOTTOM ROLLER	40+	\$5.49	

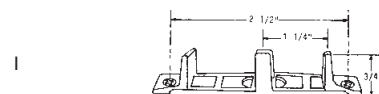
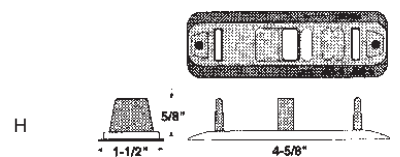
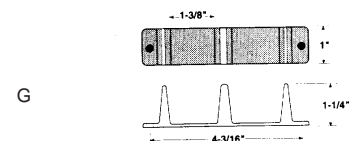
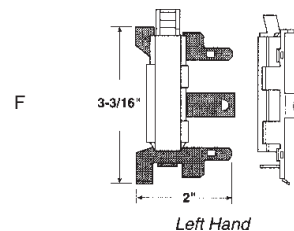
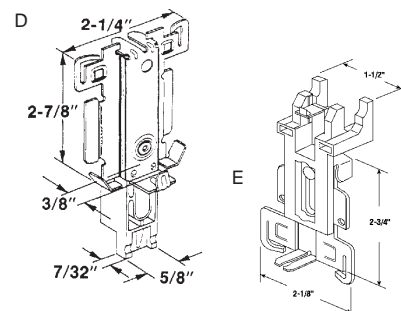
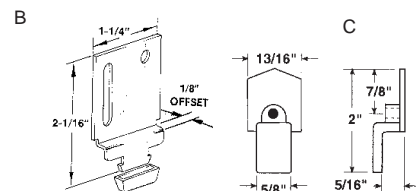
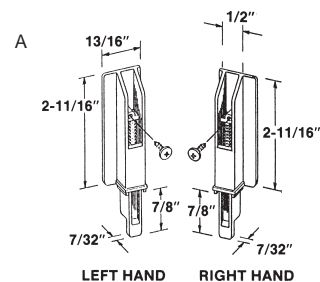


* CASE QUANTITIES ARE FOR REFERENCE ONLY-ANY QUANTITY MAY BE ORDERED

CLOSET HARDWARE

HARDWARE

PART #	ITEM	PK*
A	11598 SPRING WARDROBE GUIDE LEFT / RIGHT PAIR - NYLON	1-19 \$3.04 1 20+ \$2.65
B	01069 WARDROBE DOOR GUIDE N6537	1-19 \$0.86 1 20+ \$0.75
C	11700 WARDROBE DOOR GUIDE NYLON	1-39 \$0.58 1 40+ \$0.50
D	11616 WARDROBE DOOR BOTTOM GUIDE	1-39 \$1.84 1 40+ \$1.60
E	11542 WARDROBE DOOR BOTTOM GUIDE	1-39 \$2.36 1 40+ \$2.05
F	91767 WARDROBE DOOR BOTTOM GUIDE 1 PAIR (LEFT & RIGHT)	1-39 \$4.58 1 40+ \$3.99
G	11600 WARDROBE DOOR BOTTOM GUIDE PLASTIC - FITS 1 3/8" DOORS	1-39 \$0.83 4 40+ \$0.73
H	11579 WARDROBE DOOR ADJUSTABLE BOTTOM GUIDE METAL / PLASTIC, FITS 3/4" - 1 3/8" DOORS	1-39 \$1.09 1 40+ \$0.95
I	04132 WARDROBE DOOR ADJUSTABLE BOTTOM GUIDE PLASTIC, FITS 3/4" - 1 3/8" DOORS	1-39 \$0.71 1 40+ \$0.62



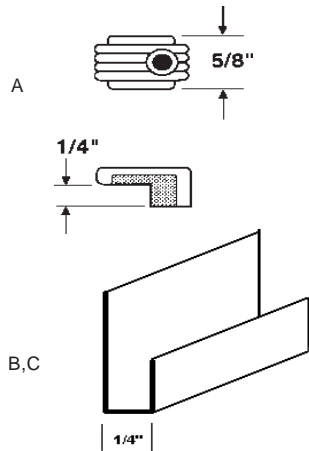
* CASE QUANTITIES ARE FOR REFERENCE ONLY-ANY QUANTITY MAY BE ORDERED



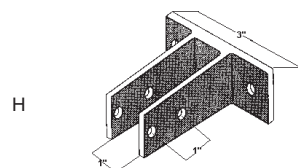
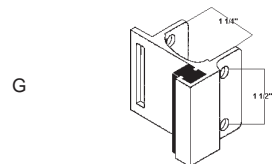
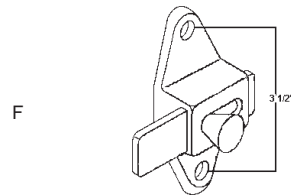
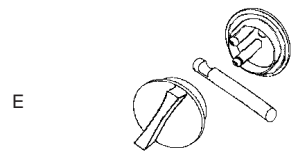
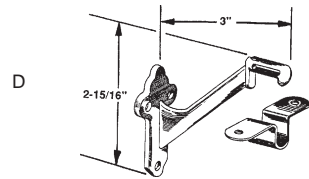
HARDWARE

MIRROR HARDWARE

PART # ITEM PK*



A	00855	1/4" MIRROR CLIP WITH ANCHOR	1-99 100+	\$0.12 \$0.10	50
B	CHANNEL	MIRROR CHANNEL 1/4" DEEP-CHROME	1-119 120+	\$1.15 \$1.00 PER FT.	
C	01039	12' MIRROR CHANNEL 1/4" DEEP-CHROME	1-9 10+	\$13.80 \$12.00	1
D	11528	HAND RAIL BRACKETS - EA. BRASS	1-19 20+	\$1.67 \$1.45	10
E	01078	PARTITION DOOR CONCEALED LATCH FOR 1" LAMINATE DOORS	1-39 40+	\$8.56 \$7.45	1
F	01079	PARTITION DOOR SLIDE LATCH	1-39 40+	\$11.44 \$9.95	1
G	01080	PARTITION DOOR SLIDE STRIKE PLATE	1-39 40+	\$8.56 \$7.45	1
H	01074	URINAL SCREEN WALL BRACKET FOR 1" PANELS	1-39 40+	\$7.99 \$6.95	1

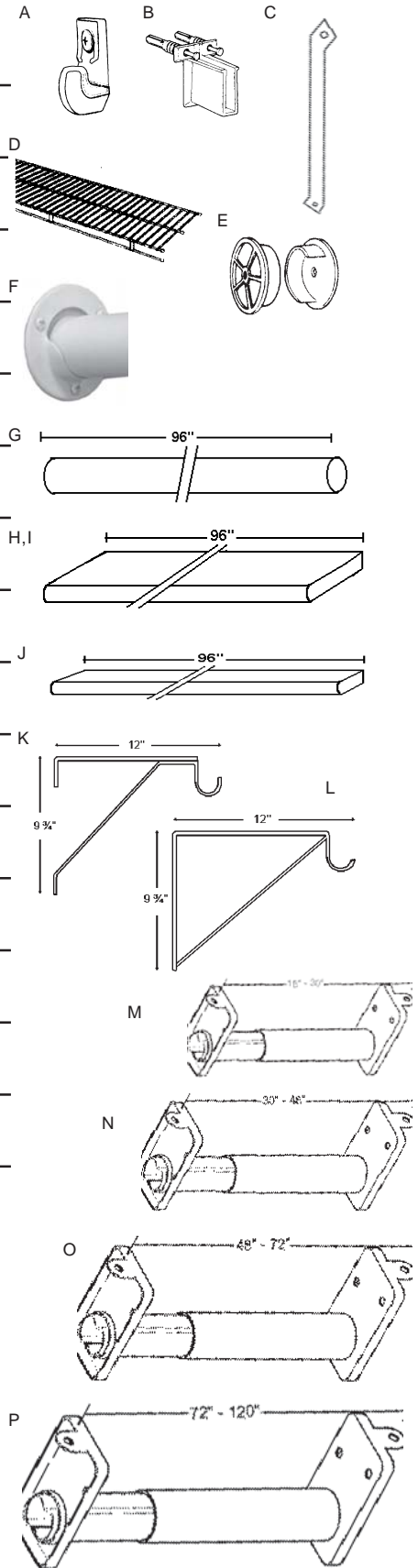


* CASE QUANTITIES ARE FOR REFERENCE ONLY-ANY QUANTITY MAY BE ORDERED

CLOSET HARDWARE

HARDWARE

PART #	ITEM		PK*
A	CLOSETMAID SHELF WALL CLIP	1-49	\$3.74
	12 PACK	50+	\$3.25
B	CLOSETMAID WALL BRACKETS	1-49	\$1.89
	1 PIECE	50+	\$1.65
C	CLOSETMAID 12" SUPPORT BRACKETS	1-49	\$2.24
	1 PIECE	50+	\$1.95
D	CLOSETMAID 12' WARDROBE SHELF	1-3	\$26.45
		4+	\$23.00
E	CLOSET ROD SOCKET	1-99	\$0.33
	WHITE PLASTIC - 1 PAIR	100+	\$0.29
F	CLOSET ROD SOCKET	1-99	\$3.85
	METAL WHITE	100+	\$3.35
G	CLOSET ROD, WOOD	1-9	\$11.48
	1 3/8" X 10'	10+	\$9.99
H	CLOSET SHELF, BULL NOSE	1-9	\$8.85
	5/8" X 11 3/4" X 8'	10+	\$7.70
I	CLOSET SHELF, BULL NOSE	1-9	\$16.56
	5/8" X 11 1/4" X 16'	10+	\$14.40
J	CLOSET SHELF SUPPORT (HOOK STRIP)	1-9	\$3.39
	5/8" X 3 1/2" X 8'	10+	\$2.95
K	CLOSET SHELF BRACKET, ADJUSTABLE	1-9	\$4.19
	HEAVY DUTY	10+	\$3.65
L	CLOSET ROD / SHELF SUPPORT BRACKET	1-9	\$3.97
	HEAVY DUTY	10+	\$3.45
M	ADJUSTABLE CLOSET ROD	1-9	\$4.01
	18" - 30"	10+	\$3.49
N	ADJUSTABLE CLOSET ROD	1-9	\$4.19
	30" - 48"	10+	\$3.65
O	ADJUSTABLE CLOSET ROD	1-9	\$5.85
	48" - 72"	10+	\$5.09
P	ADJUSTABLE CLOSET ROD	1-9	\$9.31
	72" - 120"	10+	\$8.10

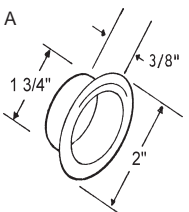
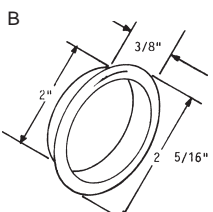
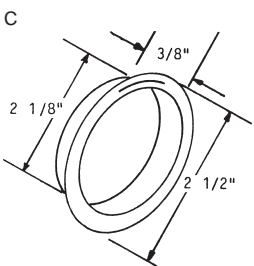
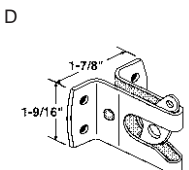
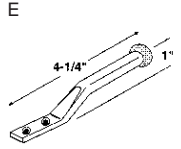
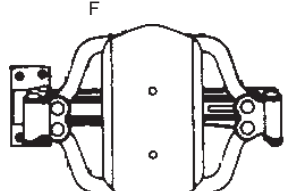
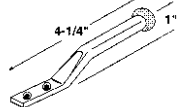


* CASE QUANTITIES ARE FOR REFERENCE ONLY-ANY QUANTITY MAY BE ORDERED



HARDWARE

GATE/MISC.

	PART #	ITEM			PK*
	A 00825	BRASS CLOSET PULL 1 3/4"	1-49	\$0.87	10
			50+	\$0.76	
	B 91715	BRASS CLOSET PULL 2"	1-49	\$0.92	10
			50+	\$0.80	
	C 11614	BRASS CLOSET PULL 2 1/8"	1-49	\$0.81	10
			50+	\$0.70	
	D 00826	GRAVITY GATE LATCH ZINC	1-9	\$2.59	10
			10+	\$2.25	
	E 91645	GRAVITY GATE LATCH BAR ONLY	1-9	\$1.37	10
			10+	\$1.19	
	F 13460	KANT SLAM HYDRAULIC GATE CLOSER BLACK - MEETS POOL REQUIREMENTS	1-2	\$52.84	1
			3+	\$45.95	
	G 765115	SLIDE BOLT	1-2	\$5.34	1
			3+	\$4.65	

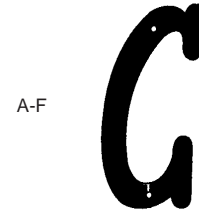


* CASE QUANTITIES ARE FOR REFERENCE ONLY-ANY QUANTITY MAY BE ORDERED

NUMBERS/LETTERS

HARDWARE

PART #	ITEM	PK*
A	00831 4" BLACK LETTER 'A'	1-39 \$1.09 1 40+ \$0.95
B	00832 4" BLACK LETTER 'B'	1-39 \$1.09 1 40+ \$0.95
C	00833 4" BLACK LETTER 'C'	1-39 \$1.09 1 40+ \$0.95
D	00834 4" BLACK LETTER 'D'	1-39 \$1.09 1 40+ \$0.95
E	00835 4" BLACK LETTER 'E'	1-39 \$1.09 1 40+ \$0.95
F	00836 4" BLACK LETTER 'F'	1-39 \$1.09 1 40+ \$0.95
G	87140 4" BRASS FIN. HOUSE #0	1-39 \$1.09 1 40+ \$0.95
H	87141 4" BRASS FIN. HOUSE #1	1-39 \$1.09 1 40+ \$0.95
I	87142 4" BRASS FIN. HOUSE #2	1-39 \$1.09 1 40+ \$0.95
J	87143 4" BRASS FIN. HOUSE #3	1-39 \$1.09 1 40+ \$0.95
K	87144 4" BRASS FIN. HOUSE #4	1-39 \$1.09 1 40+ \$0.95
L	87145 4" BRASS FIN. HOUSE #5	1-39 \$1.09 1 40+ \$0.95
M	87146 4" BRASS FIN. HOUSE #6	1-39 \$1.09 1 40+ \$0.95
N	87147 4" BRASS FIN. HOUSE #7	1-39 \$1.09 1 40+ \$0.95
O	87148 4" BRASS FIN. HOUSE #8	1-39 \$1.09 1 40+ \$0.95
P	87149 4" BRASS FIN. HOUSE #9	1-39 \$1.09 1 40+ \$0.95



* CASE QUANTITIES ARE FOR REFERENCE ONLY-ANY QUANTITY MAY BE ORDERED



Phone Orders (888) 439-6900

FAX Orders (949) 888-5436

269

HARDWARE

NUMBERS/LETTERS

A-J

5

	PART #	ITEM			PK*
A	87150	4"BLACK FIN. HOUSE #0	1-39	\$1.09	1
			40+	\$0.95	
B	87151	4" BLACK FIN. HOUSE #1	1-39	\$1.09	1
			40+	\$0.95	
C	87152	4" BLACK FIN. HOUSE #2	1-39	\$1.09	1
			40+	\$0.95	
D	87153	4" BLACK FIN. HOUSE #3	1-39	\$1.09	1
			40+	\$0.95	
E	87154	4" BLACK FIN. HOUSE #4	1-39	\$1.09	1
			40+	\$0.95	
F	87155	4" BLACK FIN. HOUSE #5	1-39	\$1.09	1
			40+	\$0.95	
G	87156	4" BLACK FIN. HOUSE#6	1-39	\$1.09	1
			40+	\$0.95	
H	87157	4" BLACK FIN. HOUSE #7	1-39	\$1.09	1
			40+	\$0.95	
I	87158	4" BLACK FIN. HOUSE #8	1-39	\$1.09	1
			40+	\$0.95	
J	87159	4" BLACK FIN. HOUSE #9	1-39	\$1.09	1
			40+	\$0.95	

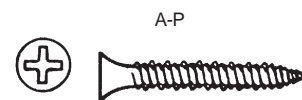


** CASE QUANTITIES ARE FOR REFERENCE ONLY-ANY QUANTITY MAY BE ORDERED*

DRYWALL SCREWS

HARDWARE

PART #	ITEM	PK*
A	69324 COARSE DRYWALL SCREWS- 1LB. BX 6 X 1"	1-4 \$5.50 1 5+ \$4.79
B	69290 COARSE DRYWALL SCREWS- 1LB. BX 6 X 1 1/8"	1-4 \$5.50 1 5+ \$4.79
C	69325 COARSE DRYWALL SCREWS- 1LB. BX 6 X 1 1/4"	1-4 \$5.50 1 5+ \$4.79
D	69326 COARSE DRYWALL SCREWS- 1LB. BX 6 X 1 5/8"	1-4 \$5.50 1 5+ \$4.79
E	69327 COARSE DRYWALL SCREWS- 1LB. BX 6 X 2"	1-4 \$5.50 1 5+ \$4.79
F	69292 COARSE DRYWALL SCREWS- 1LB. BX 6 X 2 1/4"	1-4 \$5.50 1 5+ \$4.79
G	69294 COARSE DRYWALL SCREWS- 1LB. BX 8 X 2 1/2"	1-4 \$5.50 1 5+ \$4.79
H	69328 COARSE DRYWALL SCREWS- 1LB. BX 8 X 3"	1-4 \$5.50 1 5+ \$4.79
I	69304 COARSE DRYWALL SCREWS- 5LB. BX 6 X 1"	1-4 \$15.51 1 5+ \$13.49
J	69305 COARSE DRYWALL SCREWS- 5LB. BX 6 X 1 1/8"	1-4 \$15.51 1 5+ \$13.49
K	69329 COARSE DRYWALL SCREWS- 5LB. BX 6 X 1 1/4"	1-4 \$15.51 1 5+ \$13.49
L	69330 COARSE DRYWALL SCREWS- 5LB. BX 6 X 1 5/8"	1-4 \$15.51 1 5+ \$13.49
M	69306 COARSE DRYWALL SCREWS- 5LB. BX 6 X 2"	1-4 \$15.51 1 5+ \$13.49
N	69307 COARSE DRYWALL SCREWS- 5LB. BX 6 X 2 1/4"	1-4 \$15.51 1 5+ \$13.49
O	69308 COARSE DRYWALL SCREWS- 5LB. BX 8 X 2 1/2"	1-4 \$15.51 1 5+ \$13.49
P	69309 COARSE DRYWALL SCREWS- 5LB. BX 8 X 3"	1-4 \$15.51 1 5+ \$13.49



* CASE QUANTITIES ARE FOR REFERENCE ONLY-ANY QUANTITY MAY BE ORDERED



Phone Orders (888) 439-6900

FAX Orders (949) 888-5436

271

	PART #	ITEM			PK*
A-J	A 68474	PAN HEAD PHILLIPS SHEET METAL SCREW	1-4	\$4.01	1
		#6 X 3/4"	100 PK.	5+	\$3.49
	B 68477	PAN HEAD PHILLIPS SHEET METAL SCREW	1-4	\$4.01	1
		#6 X 1 1/2"	100 PK.	5+	\$3.49
	C 68483	PAN HEAD PHILLIPS SHEET METAL SCREW	1-4	\$4.01	1
		#8 X 1/2"	100 PK.	5+	\$3.49
	D 68485	PAN HEAD PHILLIPS SHEET METAL SCREW	1-4	\$4.01	1
		#8 X 3/4"	100 PK.	5+	\$3.49
	E 68486	PAN HEAD PHILLIPS SHEET METAL SCREW	1-4	\$4.01	1
		#8 X 1"	100 PK.	5+	\$3.49
K-R	F 68487	PAN HEAD PHILLIPS SHEET METAL SCREW	1-4	\$4.93	1
		#8 X 1 1/4"	100 PK.	5+	\$4.29
	G 68488	PAN HEAD PHILLIPS SHEET METAL SCREW	1-4	\$5.62	1
		#8 X 1 1/2"	100 PK.	5+	\$4.89
	H 68494	PAN HEAD PHILLIPS SHEET METAL SCREW	1-4	\$4.81	1
		#10 X 1"	100 PK.	5+	\$4.19
	I 68496	PAN HEAD PHILLIPS SHEET METAL SCREW	1-4	\$6.54	1
		#10 X 1 1/2"	100 PK.	5+	\$5.69
	J 68504	PAN HEAD PHILLIPS SHEET METAL SCREW	1-4	\$9.76	1
		#12 X 2"	100 PK.	5+	\$8.49
	K 68983	PAN HEAD PHILLIPS SELF DRILLING SCREW	1-4	\$6.65	1
		#6 X 3/8"	100 PK.	5+	\$5.79
	L 68984	PAN HEAD PHILLIPS SELF DRILLING SCREW	1-4	\$6.65	1
		#6 X 1/2"	100 PK.	5+	\$5.79
	M 68986	PAN HEAD PHILLIPS SELF DRILLING SCREW	1-4	\$8.72	1
		#8 X 3/4"	100 PK.	5+	\$7.59
	N 00913	PAN HEAD PHILLIPS SELF DRILLING SCREW	1-4	\$9.64	1
		#8 X 1"	100 PK.	5+	\$8.39
	O 68987	PAN HEAD PHILLIPS SELF DRILLING SCREW	1-4	\$10.45	1
		#10 X 1/2"	100 PK.	5+	\$9.09
P 00914	PAN HEAD PHILLIPS SELF DRILLING SCREW	1-4	\$11.14	1	
	#10 X 5/8"	100 PK.	5+	\$9.69	
Q 68988	PAN HEAD PHILLIPS SELF DRILLING SCREW	1-4	\$11.37	1	
	#10 X 3/4"	100 PK.	5+	\$9.89	
R 68989	PAN HEAD PHILLIPS SELF DRILLING SCREW	1-4	\$12.75	1	
	#10 X 1"	100 PK.	5+	\$11.09	



SHEET METAL SCREWS

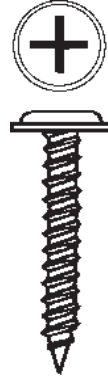
HARDWARE

PART #	ITEM	PK*
A	HEX HEAD SELF DRILLING SHEET METAL SCREW	\$6.31 1
	#6 X 1/2" 100 PK.	\$5.49
B	HEX HEAD SELF DRILLING SHEET METAL SCREW	\$6.42 1
	#8 X 1/2" 100 PK.	\$5.59
C	HEX HEAD SELF DRILLING SHEET METAL SCREW	\$7.92 1
	#8 X 3/4" 100 PK.	\$6.89
D	HEX HEAD SELF DRILLING SHEET METAL SCREW	\$8.72 1
	#8 X 1" 100 PK.	\$7.59
E	HEX HEAD SELF DRILLING SHEET METAL SCREW	\$9.41 1
	#10 X 1/2" 100 PK.	\$8.49
F	HEX HEAD SELF DRILLING SHEET METAL SCREW	\$10.33 1
	#10 X 3/4" 100 PK.	\$8.99
G	HEX HEAD SELF DRILLING SHEET METAL SCREW	\$11.60 1
	#10X1" 100 PK.	\$10.09
H	TRUSS WASHER HEAD, NEEDLEPOINT SCREW	\$5.27 1
	#8 X 3/4" 100 PK.	\$4.59
I	TRUSS WASHER HEAD, NEEDLEPOINT SCREW	\$6.42 1
	#8 X 1 1/4" 100 PK.	\$5.59

A-G



H,I



* CASE QUANTITIES ARE FOR REFERENCE ONLY-ANY QUANTITY MAY BE ORDERED



Phone Orders (888) 439-6900

FAX Orders (949) 888-5436

273

A-D



E-G



	PART #	ITEM			PK*
A	68350	FLAT HEAD PHILLIPS WOOD SCREW	1-4	\$2.86	1
		#4 X 3/4" 100 PK.	5+	\$2.49	
B	68352	FLAT HEAD PHILLIPS WOOD SCREW	1-4	\$2.97	1
		#6 X 3/4" 100 PK.	5+	\$2.59	
C	68353	FLAT HEAD PHILLIPS WOOD SCREW	1-4	\$3.20	1
		#6 X 1" 100 PK.	5+	\$2.79	
D	68354	FLAT HEAD PHILLIPS WOOD SCREW	1-4	\$3.43	1
		#6 X 1 1/4" 100 PK.	5+	\$2.99	
E	68953	FLAT HEAD PHILLIPS WOOD SCREW	1-4	\$5.73	1
		#4 X 1/2" - BRASS 100 PK.	5+	\$4.99	
F	68955	FLAT HEAD PHILLIPS WOOD SCREW	1-4	\$6.08	1
		#6 X 1/2" - BRASS 100 PK.	5+	\$5.29	
G	68956	FLAT HEAD PHILLIPS WOOD SCREW	1-4	\$6.77	1
		#6 X 3/4" - BRASS 100 PK.	5+	\$5.89	



* CASE QUANTITIES ARE FOR REFERENCE ONLY-ANY QUANTITY MAY BE ORDERED

MACHINE SCREWS

HARDWARE

PART #	ITEM	PK*
A	PAN HEAD PHILLIPS MACHINE SCREW 8-32 X 1"	1-4 \$4.59 1 100 PK. 5+ \$3.99
B	PAN HEAD PHILLIPS MACHINE SCREW 8-32 X 1 1/4"	1-4 \$6.89 1 100 PK. 5+ \$5.99
C	PAN HEAD PHILLIPS MACHINE SCREW 8-32 X 1 1/2"	1-4 \$7.11 1 100 PK. 5+ \$6.19
D	PAN HEAD PHILLIPS MACHINE SCREW 8-32 X 1 3/4"	1-4 \$7.23 1 100 PK. 5+ \$6.29
E	PAN HEAD PHILLIPS MACHINE SCREW 8-32 X 2"	1-4 \$7.46 1 100 PK. 5+ \$6.49
F	PAN HEAD PHILLIPS MACHINE SCREW 10-32 X 1"	1-4 \$5.16 1 100 PK. 5+ \$4.49
G	PAN HEAD PHILLIPS MACHINE SCREW 10-32 X 1 1/4"	1-4 \$6.31 1 100 PK. 5+ \$5.49
H	PAN HEAD PHILLIPS MACHINE SCREW 10-32 X 2"	1-4 \$9.76 1 100 PK. 5+ \$8.49

A-H






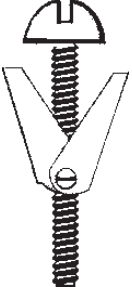










* CASE QUANTITIES ARE FOR REFERENCE ONLY-ANY QUANTITY MAY BE ORDERED



Phone Orders (888) 439-6900

FAX Orders (949) 888-5436

275

	PART #	ITEM			PK*
 A,B	A 68890	PLASTIC WALL ANCHOR	1-4	\$3.20	1
		FITS #6 - #8 SCREW 100PK.	5+	\$2.79	
	B 68891	PLASTIC WALL ANCHOR	1-4	\$3.66	1
		FITS #8 - #10 SCREW 100PK.	5+	\$3.19	
	C 69030	PLASTIC WALL ANCHOR-RIBBED, FITS	1-4	\$3.32	1
		#4 - #8 SCREW, 7/8" LONG 100 PK.	5+	\$2.89	
	D 69031	PLASTIC WALL ANCHOR-RIBBED, FITS	1-4	\$4.12	1
		#8 - #12 SCREW 1 1/4" LONG 100 PK.	5+	\$3.59	
	E 69049	PLASTIC WALL ANCHOR-RIBBED, FITS	1-4	\$2.86	1
		#12 - #16 SCREW, 1 1/2" LONG 100 PK.	5+	\$2.49	
	F 68943	PLASTIC AUGER ANCHOR	1-4	\$16.54	1
		FITS #6 SCREW 100PK.	5+	\$14.39	
	G 68940	PLASTIC AUGER ANCHOR	1-4	\$22.64	1
		FITS #8 SCREW 100 PK.	5+	\$19.69	
	H 68939	ZINC AUGER ANCHOR	1-4	\$28.73	1
		FITS #8 SCREW 100 PK.	5+	\$24.99	
	I 69041	TOGGLEBOLT	1-4	\$8.03	1
		1/8" X 2" 50 PK.	5+	\$6.99	
	J 68872	TOGGLEBOLT	1-4	\$9.18	1
		1/8" X 3" 50 PK.	5+	\$7.99	
	K 68874	TOGGLEBOLT	1-4	\$9.76	1
		3/16" X 2" 50 PK.	5+	\$8.49	
	L 68875	TOGGLEBOLT	1-4	\$10.91	1
		3/16" X 3" 50 PK.	5+	\$9.49	
	M 68876	TOGGLEBOLT	1-4	\$12.06	1
		3/16" X 4" 50 PK.	5+	\$10.49	
	N 68877	TOGGLEBOLT	1-4	\$12.98	1
		1/4" X 3" 50 PK.	5+	\$11.29	



* CASE QUANTITIES ARE FOR REFERENCE ONLY-ANY QUANTITY MAY BE ORDERED

NAILS/BIN BOXES

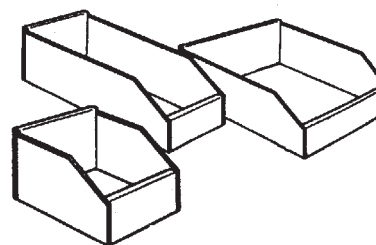
HARDWARE

PART #	ITEM	PK*
A	35446 2D BRIGHT FINISH NAIL - 1" 1 LB.	1-4 \$1.71 1 5+ \$1.49
B	833228 3D BRIGHT FINISH NAIL - 1¼" 1 LB.	1-4 \$1.94 1 5+ \$1.69
C	152207 4D BRIGHT FINISH NAIL - 1½" 1 LB.	1-4 \$2.17 1 5+ \$1.89
D	152215 6D BRIGHT FINISH NAIL - 2" 1 LB.	1-4 \$2.17 1 5+ \$1.89
E	152223 8D BRIGHT FINISH NAIL - 2½" 1 LB.	1-4 \$2.28 1 5+ \$1.99
F	833269 10D BRIGHT FINISH NAIL - 3" 1 LB.	1-4 \$2.28 1 5+ \$1.99
G	35460 16D BRIGHT FINISH NAIL - 3½" 1 LB.	1-4 \$2.51 1 5+ \$2.19
H	152512 6D BRIGHT FINISH NAIL - 2" 5 LB.	1-4 \$11.49 1 5+ \$9.99
I	35516 8D BRIGHT FINISH NAIL - 2½" 5 LB.	1-4 \$14.93 1 5+ \$12.99
J	88842 CARDBOARD BIN BOX 4 1/8"W X 12 7/8"D X 4"H	1-4 \$1.20 5 5+ \$1.05
K	88843 CARDBOARD BIN BOX 8"W X 12 7/8"D X 4"H	1-4 \$1.49 5 5+ \$1.30

A-I



J,K



* CASE QUANTITIES ARE FOR REFERENCE ONLY-ANY QUANTITY MAY BE ORDERED

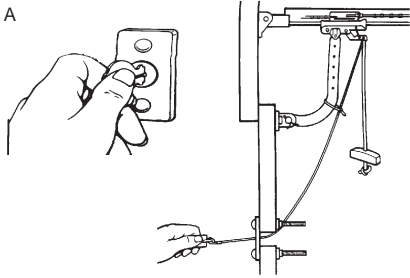


Phone Orders (888) 439-6900

FAX Orders (949) 888-5436

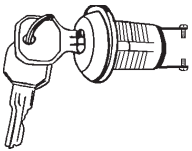
277

PART # ITEM PK*



A	00994	KEYLOCK EMERGENCY RELEASE	1-9	\$14.36	1
		STEEL CABLE 3'	10+	\$12.49	
B	88034	GARAGE DOOR OPENER	1-9	\$9.76	1
		KEY SWITCH Y11 KEY BLANK	10+	\$8.99	
C	48618	GARAGE DOOR OPENER	1-9	\$14.36	1
		KEY SWITCH CGI KEY DOUBLE SIDED	10+	\$12.49	
D	88037	GARAGE DOOR OPENER	1-9	\$5.74	1
		WALL PUSH BUTTON	10+	\$4.99	
E	88033	GARAGE DOOR PULL HANDLE	1-9	\$1.71	1
			10+	\$1.49	
F	88032	GARAGE DOOR JAM STOP	1-9	\$0.79	1
			10+	\$0.69	

B,C



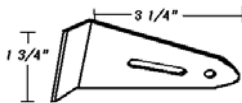
D



E



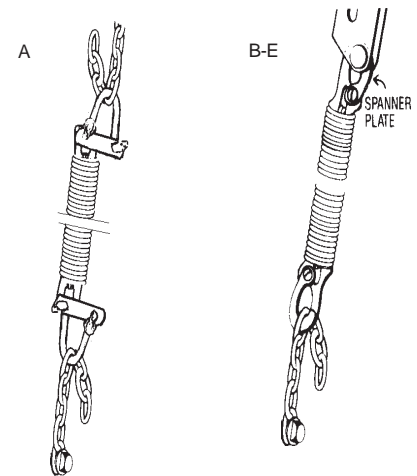
F



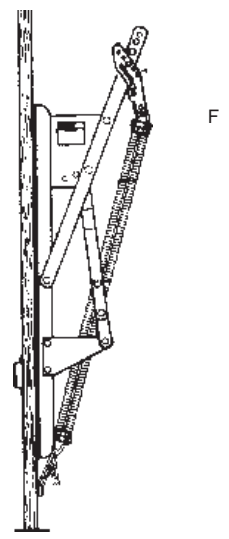
GARAGE DOOR HARDWARE

HARDWARE

PART #	ITEM	PK*
A	76656 P728 GARAGE DOOR SPRING	1-19 \$16.66 10
		20+ \$14.49
B	76652 SL728 GARAGE DOOR SPRING	1-19 \$22.98 10
		20+ \$19.99
C	76658 SLR729 GARAGE DOOR SPRING	1-19 \$22.98 10
		20+ \$19.99
D	76662 SL730 GARAGE DOOR SPRING	1-19 \$24.13 10
		20+ \$20.99
E	76648 SL528C GARAGE DOOR SPRING	1-19 \$25.28 10
		20+ \$21.99
F	91770 HOLMES HALLEY COMPLETE HINGE ASSEMBLY 1-3	\$121.90 1
	NO SPRINGS PAIR	4+ \$106.00



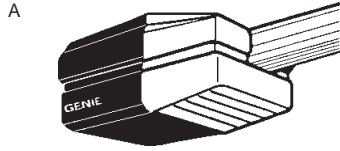
WE SPECIAL ORDER COMPLETE UNITS AND PARTS FOR CHAMBERLAIN, GENIE, AND LIFTMASTER GARAGE DOOR OPENERS



* CASE QUANTITIES ARE FOR REFERENCE ONLY-ANY QUANTITY MAY BE ORDERED



PART # ITEM PK*



A	2202	GENIE 1/2 HP SCREW DRIVE	1	\$263.35	1
		GARAGE DOOR OPENER - 1 REMOTE	2+	\$229.00	



B	2205	CHAMBERLAIN / LIFTMASTER 1/2 HP CHAIN	1	\$171.35	1
		DRIVE GARAGE DOOR OPENER - 1 REMOTE	2+	\$149.00	

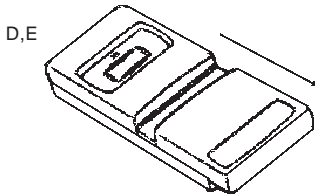
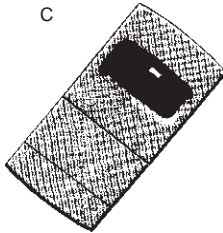
C	88038	ALLSTAR 3BUTTON TRANSMITTER	1-9	\$17.89	1
		110995 318 FREQUENCY	10+	\$15.56	

D	00556	ALLISTER 1 BUTTON TRANSMITTER	1-9	\$20.15	1
		9931T-288 280 FREQUENCY	10+	\$17.52	

E	01081	ALLISTER TRANSMITTER	1-9	\$20.15	1
		9931T-318 LIGHT GREY	10+	\$17.52	

F	88031	ALLSTAR CLIP ONLY	1-9	\$2.88	1
		PLASTIC	10+	\$2.50	

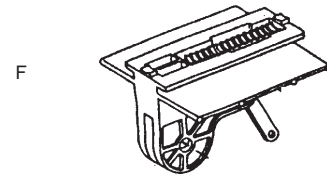
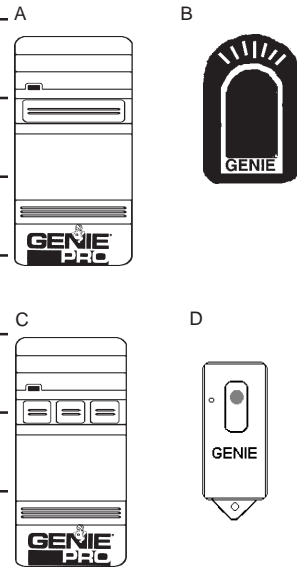
G	2951	STINGER 1 BUTTON TRANSMITTER	1-9	\$14.37	
			10+	\$12.50	



GENIE TRANSMITTERS

HARDWARE

PART #	ITEM	PK*
A 88013	GENIE 1BUTTON TRANSMITTER #GT912-1 9/12 SWITCH	1-9 \$27.31 1 10+ \$23.75
B 00866	GENIE 1 BUTTON TRANSMITTER #GIT-1/G2T-1	1-9 \$27.31 1 10+ \$23.75
C 88064	GENIE 3 BUTTON TRANSMITTER #GT-90-3	1-9 \$28.89 1 10+ \$24.43
D 00843	GENIE 1 BUTTON KEYCHAIN TRANSMITTER #MAT-90 DISCONTINUED/LIMITED QTYS	1-9 \$27.31 1 10+ \$23.75
E 88027	GENIE GARAGE DOOR RECIEVER #GB390	1-9 \$44.56 1 10+ \$38.75
F 88043	GENIE GARAGE DOOR TROLLY #25589R	1-9 \$15.53 1 10+ \$13.50
G 01086	GENIE TRACK GUIDE FOR CHAIN INNERSLIDE	1-9 \$4.03 1 10+ \$3.50



* CASE QUANTITIES ARE FOR REFERENCE ONLY-ANY QUANTITY MAY BE ORDERED



Phone Orders (888) 439-6900

FAX Orders (949) 888-5436

281

	PART #	ITEM		PK*
A,B	88819	LIFTMASTER 1 BUTTON TRANSMITTER	1-9	\$22.94 1
		61LM - W/ SWITCHES	10+	\$21.95
C	88050	LIFTMASTER 1 BUTTON TRANSMITTER	1-9	\$22.94 1
		81LM - W/ SMART BUTTON	10+	\$21.95
D	88052	LIFTMASTER 2 BUTTON TRANSMITTER	1-9	\$27.54 1
		82LM - W/ SMART BUTTON	10+	\$23.95
E-G	00949	LIFTMASTER SECURITY	1-9	\$22.94 1
		+ 1 BUTTON TRANSMITTER 971LM	10+	\$19.95
H,I	2555	LIFTMASTER 1 BUTTON TRANSMITTER	1-9	\$27.54
		371LM	10+	\$23.95
J-L	2762	LIFTMASTER 1 BUTTON TRANSMITTER	1-9	\$33.29
		63LM	10+	\$28.95
M	01040	LIFTMASTER SECURITY	1-9	\$27.54 1
		+ 2 BUTTON TRANSMITTER 972LM	10+	\$23.95
N,O	2663	LIFTMASTER 2 BUTTON TRANSMITTER	1-9	\$30.99
		372LM	10+	\$26.95
P	91612	LIFTMASTER SECURITY + 3 BUTTON	1-9	\$27.54 1
		KEYCHAIN TRANSMITTER 970LM	10+	\$23.95
Q	2145	LIFTMASTER 3 BUTTON MINI TRANSMITTER	1-9	\$30.65
		CPTK3	10+	\$26.66
R	2726	LIFTMASTER 3 BUTTON MINI TRANSMITTER	1-9	\$30.65
		CPTK33	10+	\$26.66
S	2664	LIFTMASTER 3 BUTTON TRANSMITTER	1-9	\$28.69
		373LM	10+	\$24.95
T	88054	LIFTMASTER RECIEVER	1-9	\$44.85 1
		#535LM	10+	\$39.00
U	88058	LIFTMASTER RECEIVER W/ 2 TRANSMITTERS	1-9	\$60.38 1
		#535-2LM	10+	\$52.50
V	88062	LIFTMASTER TRANSFORMER	1-9	\$12.59 1
		#85LM	10+	\$10.95
W	00808	LIFTMASTER CLIP ONLY	1-9	\$4.59 10
			10+	\$3.99
X	2177	GARAGE DOOR OPENER LOGIC BOARD	1-9	\$74.75
			10+	\$65.00
Y	00503	LIFTMASTER INFARED PROTECT SYSTEM	1-9	\$31.42
			10+	\$36.13



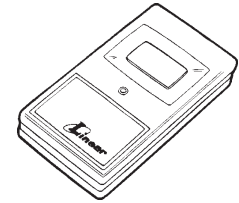
* CASE QUANTITIES ARE FOR REFERENCE ONLY-ANY QUANTITY MAY BE ORDERED

LINEAR TRANSMITTERS

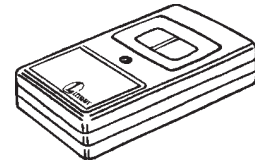
HARDWARE

PART #	ITEM	PK*
A	88010 LINEAR 1 BUTTON TRANSMITTER	1-9 \$12.95 5 10+ \$14.50
B	88021 LINEAR PLASTIC CASE FOR 1 BUTTON TRANSMITTER	1-9 \$5.18 4 10+ \$4.50
C	88014 LINEAR 2 BUTTON TRANSMITTER	1-9 \$20.70 5 10+ \$18.00
D	88028 LINEAR PLASTIC CASE FOR 2 BUTTON TRANSMITTER	1-9 \$7.48 4 10+ \$6.50
E	88011 LINEAR 1 BUTTON KEYCHAIN TRANSMITTER	1-9 \$20.70 10 10+ \$18.00
F	88076 LINEAR PLASTIC CASE FOR 1 BUTTON KEYCHAIN TRANSMITTER	1-9 \$5.74 1 10+ \$4.99
G	88016 LINEAR CLIP ONLY FOR TRANSMITTER - METAL	1-9 \$2.88 1 10+ \$2.50
H	88078 LINEAR DELTA 3 BUTTON RECIEVER EXTERIORMOUNT	1-9 \$33.29 1 10+ \$28.95
I	88082 LINEAR DELTA 3 BUTTON RECIEVER INTERIOR MOUNT	1-9 \$34.39 1 10+ \$29.90
J	2420 LINEAR ACCESS MINI TRANSMITTER ACT-31B/34B	1-9 \$22.94 10+ \$19.95
K	2712 LINEAR ACCESS MINI CASE ONLY ACT-34	1-9 \$5.17 10+ \$4.50

A,B



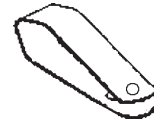
C,D



E,F



G



H,I



J



K



* CASE QUANTITIES ARE FOR REFERENCE ONLY-ANY QUANTITY MAY BE ORDERED



Phone Orders (888) 439-6900

FAX Orders (949) 888-5436

283

PART # ITEM PK*

A,B



A	59808	MULTI CODE TRANSMITTER	1-9	\$16.10	100
		1 BUTTON	10+	\$14.00	

B	00848	MULTI CODE CASE ONLY	1-9	\$6.70	1
		1 BUTTON	10+	\$5.83	

C,D



C	59801	MULTI CODE TRANSMITTER	1-9	\$19.55	100
		2 BUTTON	10+	\$17.00	

D	00842	MULTI CODE CASE ONLY	1-9	\$5.27	1
		2 BUTTON	10+	\$4.58	

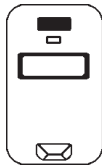
E	88030	MULTI CODE CLIP ONLY	1-9	\$2.29	1
		FOR TRANSMITTER - METAL	10+	\$1.99	

F	88029	MULTI CODE TRANSMITTER	1-9	\$18.34	1
		KEYCHAIN - 1 BUTTON	10+	\$15.95	

E



F

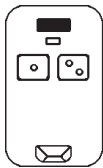


G	88068	MULTI CODE TRANSMITTER	1-9	\$26.34	1
		KEYCHAIN - 2 BUTTON	10+	\$22.90	

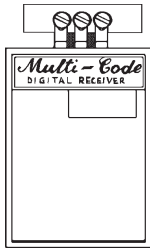
H	88072	MULTI CODE	1-9	\$34.39	1
		RECIEVER	10+	\$29.90	

I	00547	AUTO 50 TRANSMITTER	1-9	\$34.39	1
		1 BUTTON	10+	\$29.50	

G



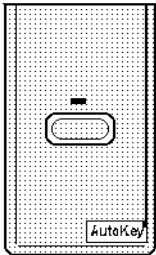
H



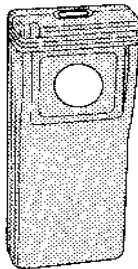
J	00558	MEGACODE 318 TRANSMITTER	1-9	\$20.41	1
		1 BUTTON	10+	\$17.75	

K	2784	FIREFLY MANUAL 300 TRANSMITTER	1-9	\$17.25	
		2 BUTTON	10+	\$15.00	

I



J



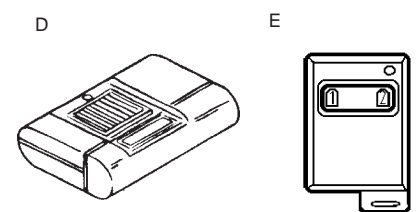
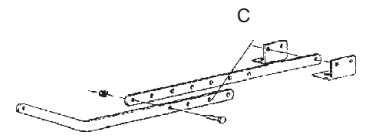
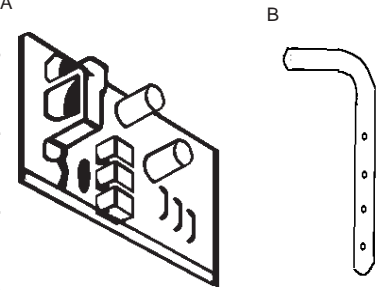
K



TRANSMITTERS

HARDWARE

PART #	ITEM		PK*
A	88042	CRUSADER LOGIC BOARD	1-9 \$72.95 1 A
		FOR EXTERIOR RECIEVER	10+ \$62.95
B	88040	CRUSADER CURVED ARM	1-9 \$10.78 1
		90 DEGREE	10+ \$9.38
C	88039	CRUSADER STRAIGHT ARM	1-9 \$10.78 1
			10+ \$9.38
D	59800	STANLEY TRANSMITTER	1-9 \$24.15 1
		10 SWITCH	10+ \$21.00
E	00847	DOOR KING TRANSMITTER	1-9 \$36.96 1
		2 BUTTON	10+ \$32.14
F	01020	VANGUARD CAPACITORS	1-9 \$10.92
			10+ \$9.50



* CASE QUANTITIES ARE FOR REFERENCE ONLY-ANY QUANTITY MAY BE ORDERED

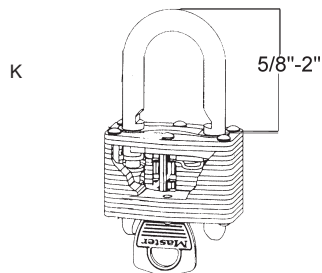
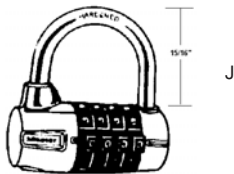
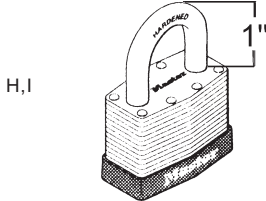
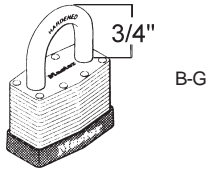
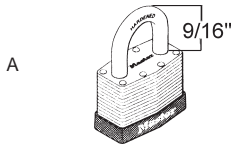


Phone Orders (888) 439-6900

FAX Orders (949) 888-5436

285

CALL TO REQUEST SPECIFIC KEY NUMBERS FOR PADLOCKS.

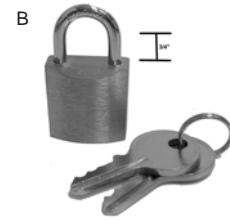


	PART #	ITEM			PK*
A	343236	#7 PADLOCK 9/16"	1-11	\$7.46	6
		KEYED ALIKE	7KA-P493	12+	\$6.49
B	00993	#3 PADLOCK 3/4"	1-11	\$10.29	6
		KEYED ALIKE	3KA-3206	12+	\$8.95
C	518407	#3 PADLOCK 3/4"	1-11	\$10.29	6
		KEYED ALIKE	3KA-3217	12+	\$8.95
D	00992	#3 PADLOCK 3/4"	1-11	\$10.29	6
		KEYED ALIKE	3KA-3220	12+	\$8.95
E	574384	#3 PADLOCK 3/4"	1-11	\$10.29	6
		RANDOM KEY		12+	\$8.95
F	250498	#3 PADLOCK 3/4"	1-11	\$10.29	6
		KEYED ALIKE	3KA-3447	12+	\$8.95
G	343988	#1 PADLOCK 15/16"	1-11	\$13.21	6
		KEYED ALIKE	1KA-2081	12+	\$11.49
H	344531	#5 PADLOCK 1"	1-11	\$14.89	6
		KEYED ALIKE	5KA-A297	12+	\$12.95
I	250928	#5 PADLOCK 1"	1-11	\$14.89	6
		KEYED ALIKE	5KA-445	12+	\$12.95
J	00946	MASTER PADLOCK	1-11	\$10.93	4
		1534 COLORED COMBINATION		12+	\$9.50
K	39988	KAD PADLOCK 5/8"-2" ADJUSTABLE SHACKLE	1-11	\$6.84	4
		KEYED ALIKE		12+	\$5.95

PADLOCKS

HARDWARE

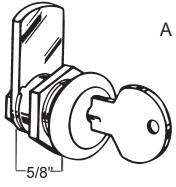
PART #	ITEM	PK*
A 00928	ABUS PURPLE PADLOCK KEYED ALIKE FOR FIRE EXTINGUISHER BOXES	1-19 \$3.16 20+ \$2.75
B 87240	3/4" BRASS PADLOCK KEYED ALIKE	1-19 \$2.87 20+ \$2.50



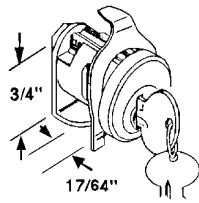
* CASE QUANTITIES ARE FOR REFERENCE ONLY-ANY QUANTITY MAY BE ORDERED



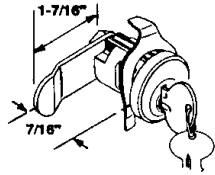
PART # ITEM PK*



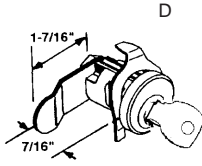
A



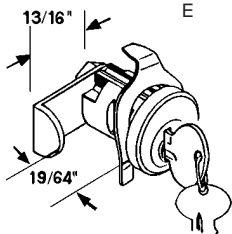
B



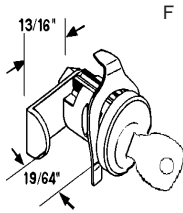
C



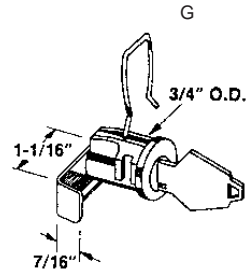
D



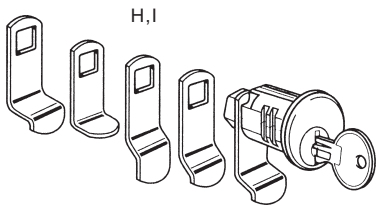
E



F



G



H, I

A	39990	CORBIN MAILBOX LOCK	1-9	\$6.84	25
		5/8" CYLINDER, CHROME	CO26 BLANK	10+	\$5.95
B	11636	MAILBOX LOCK	1-9	\$5.69	25
		FITS DURA-STEEL	CO106 BLANK	10+	\$4.95
C	11648	MAILBOX LOCK	1-9	\$5.69	25
		FITS AMERICAN DEVICE	CO106 BLANK	10+	\$4.95
D	00822	NATIONAL MAILBOX LOCK # C8714	1-9	\$6.27	25
		FITS AMERICAN DEVICE	NA14 BLANK	10+	\$5.45
E	99938	MAILBOX LOCK	1-9	\$5.09	25
		FITS S.H. COUCH	CO106 BLANK	10+	\$4.95
F	00840	NATIONAL MAILBOX LOCK # C8723	1-9	\$5.69	25
		NA14 BLANK	10+	\$4.95	
G	99937	JENSEN MAILBOX LOCK	1-9	\$6.15	25
		XL TYPE	XL7 BLANK	10+	\$5.35
H	01093	NATIONAL MULTI-CAM MAILBOX LOCK	1-9	\$7.99	25
		C8735	NA14 BLANK	10+	\$6.95
I	00935	MULTI-CAM MAILBOX LOCK	1-9	\$5.46	25
		FITS AMERICAN DEVICE	CO106 BLANK	10+	\$4.75





** CASE QUANTITIES ARE FOR REFERENCE ONLY-ANY QUANTITY MAY BE ORDERED*

290

Phone Orders (888) 439-6900

FAX Orders (949) 888-5436